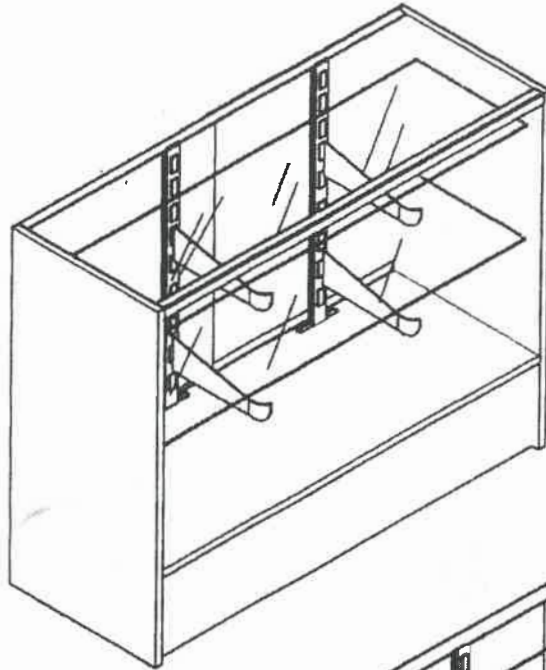
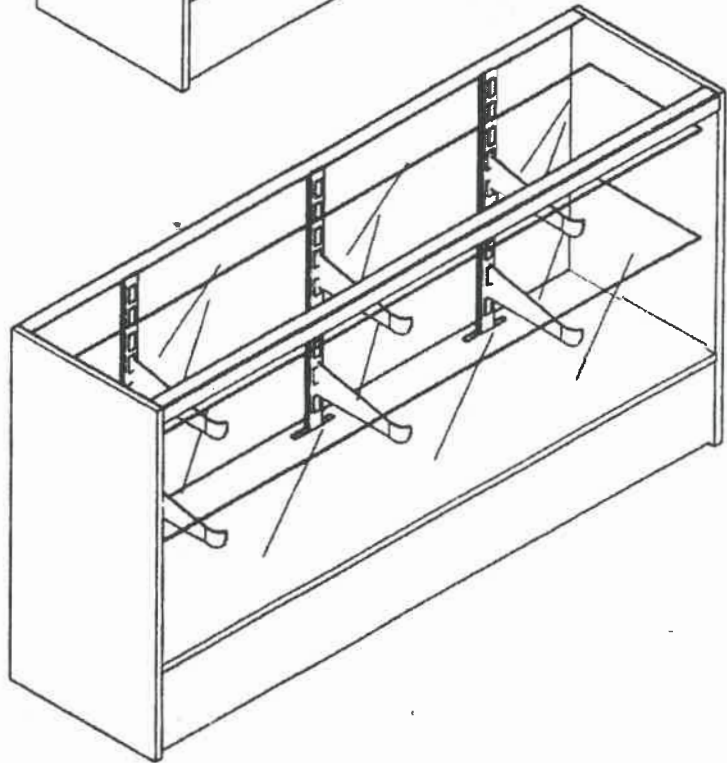


**4-FOOT
SHOWCASE**



**5, 6-FOOT
SHOWCASE**



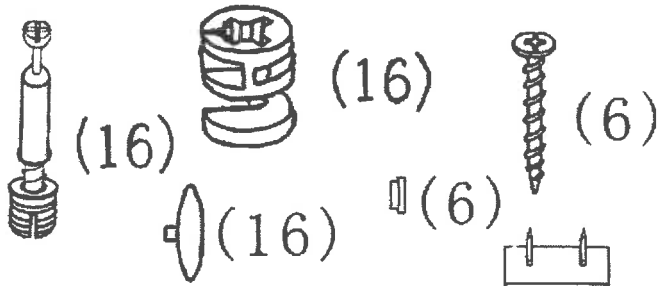
NOTE: It is recommended that two persons assemble this unit

ASSEMBLY INSTRUCTIONS

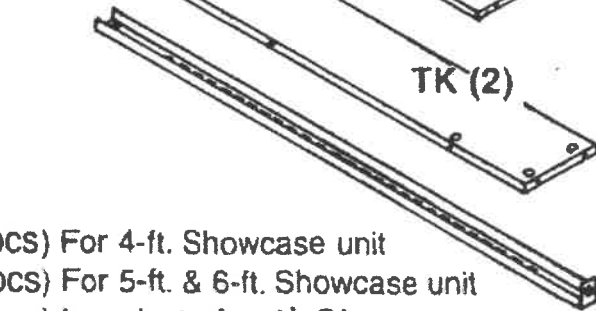
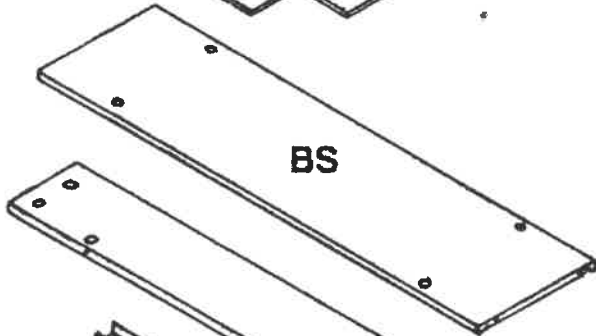
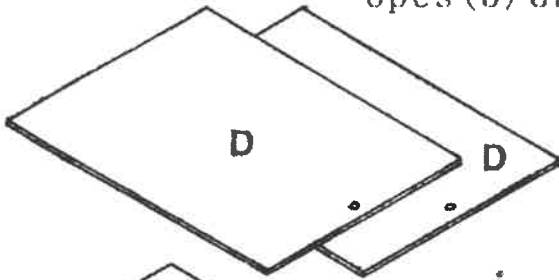
THANK YOU FOR CHOOSING OUR SHOWCASE

PARTS LIST

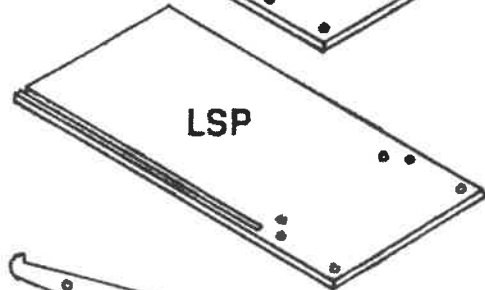
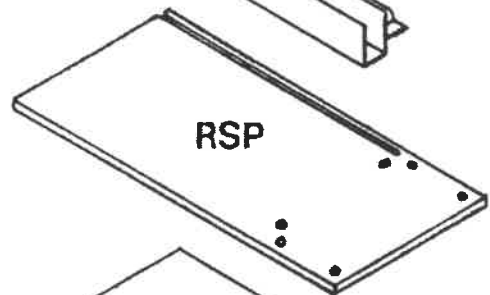
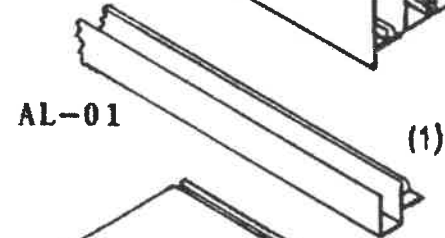
FELTS, PLASTIC GASKET,
ALUMINUM EXTRUSIONS,
STANDARDS, BRACKETS
AND SCREWS PACKED IN
ONE CARTON



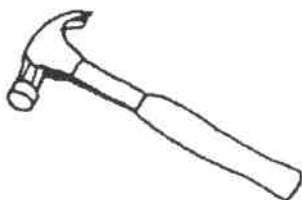
4 pcs (4-FOOT)
6 pcs (5/6FOOT)



(2 pcs) For 4-ft. Showcase unit
(3 pcs) For 5-ft. & 6-ft. Showcase unit
(4 pcs) brackets for 4' Showcase
(6 pcs) brackets for 5', 6' Showcase

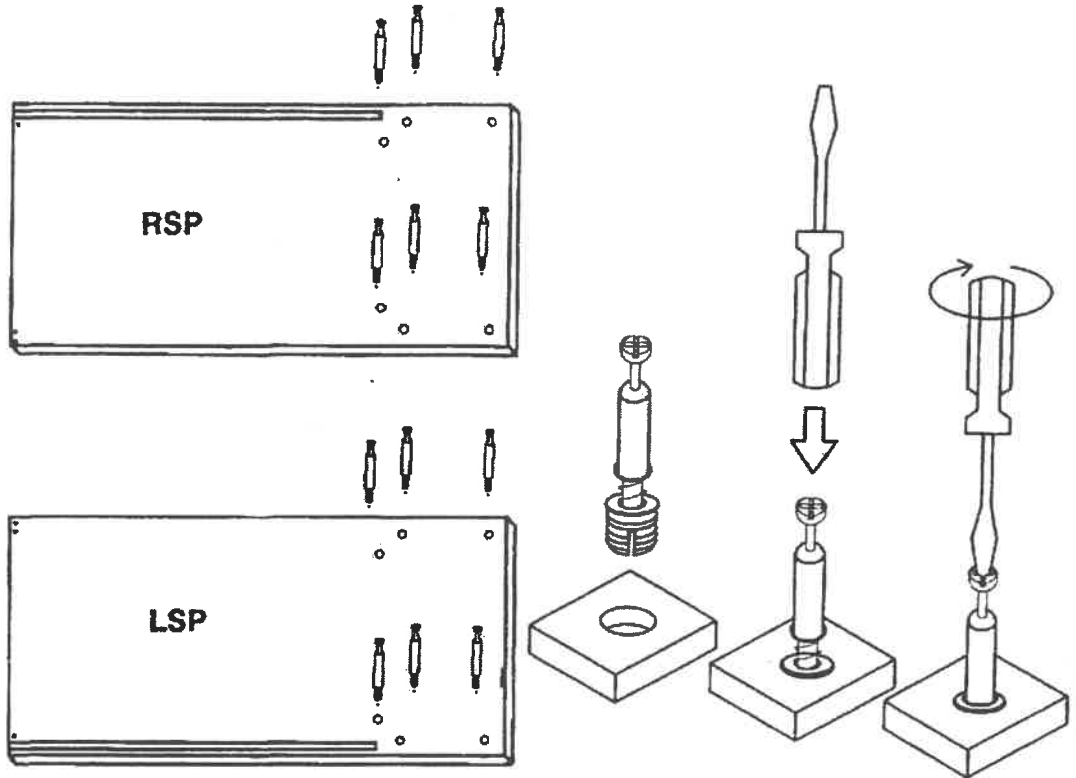


TOOLS REQUIRED

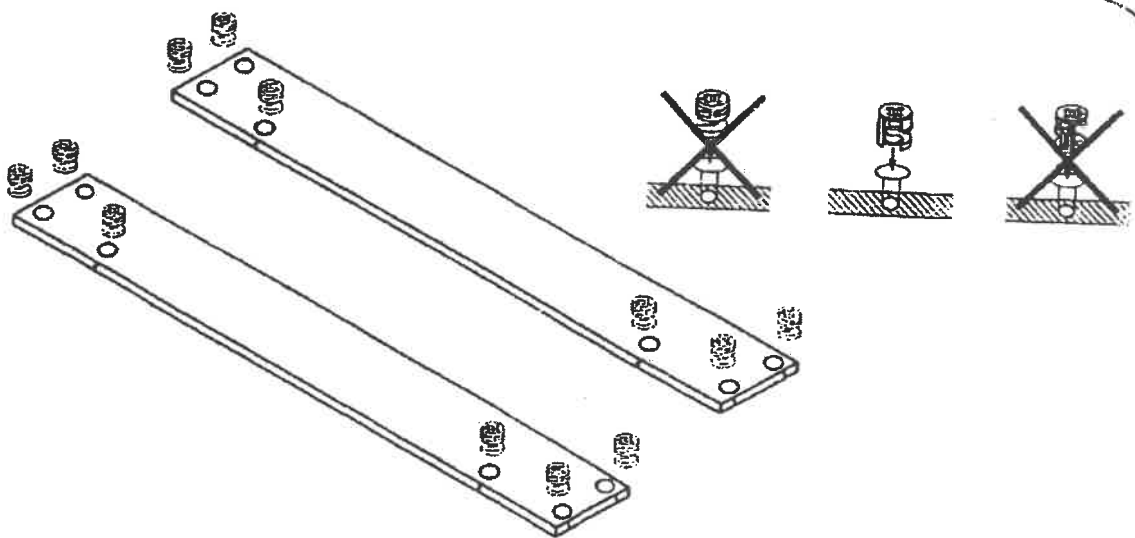


1/16" Drill bit

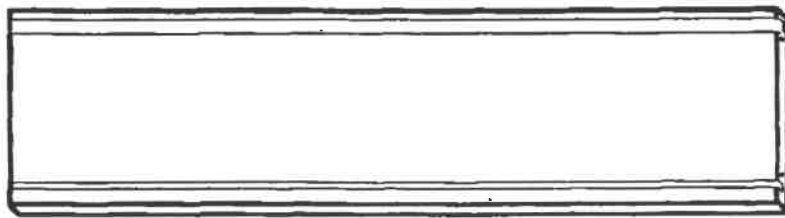
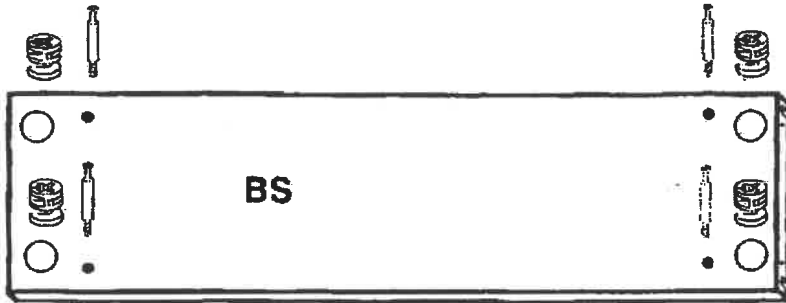
1



2



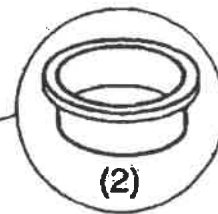
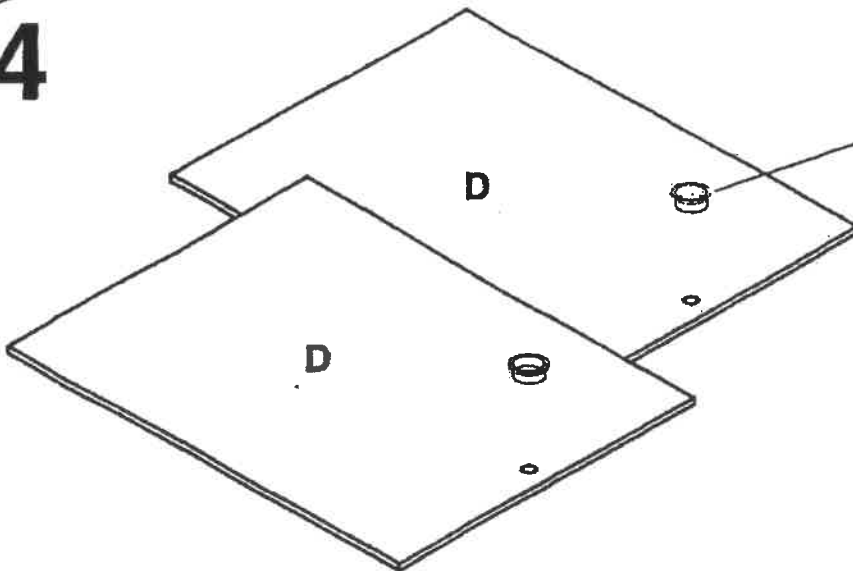
3



6mm groove

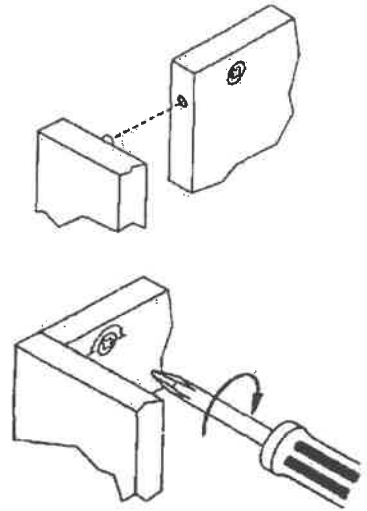
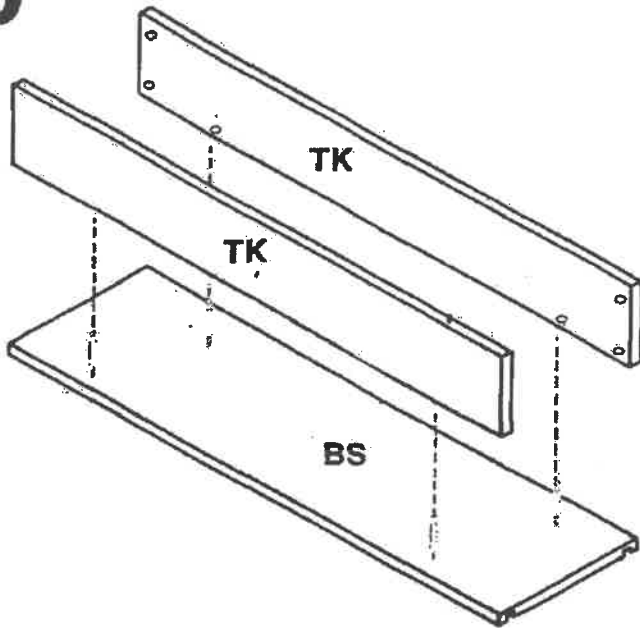
2mm groove

4



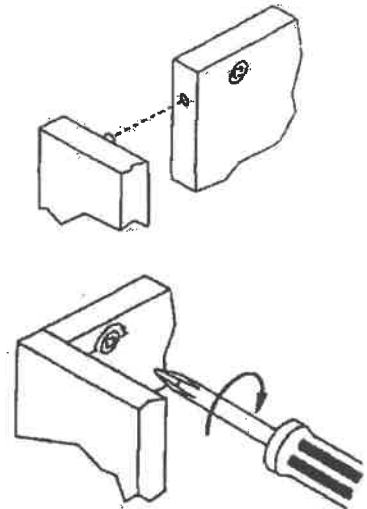
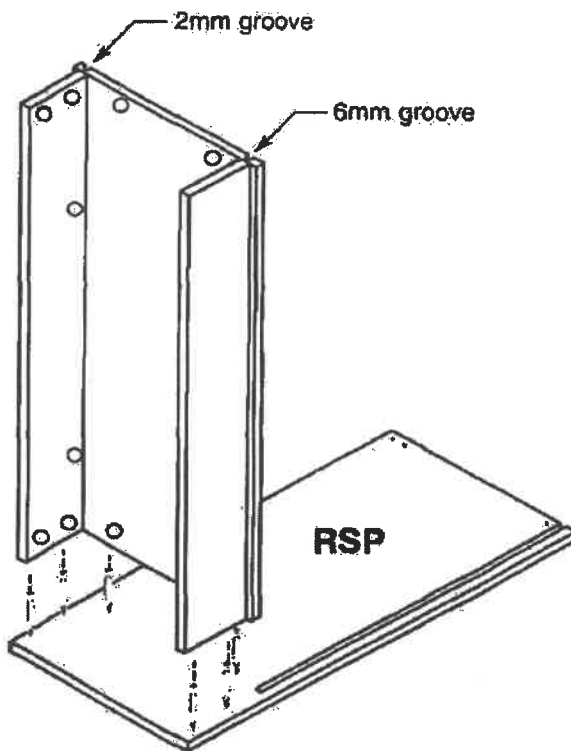
DONE IN FACTORY

5



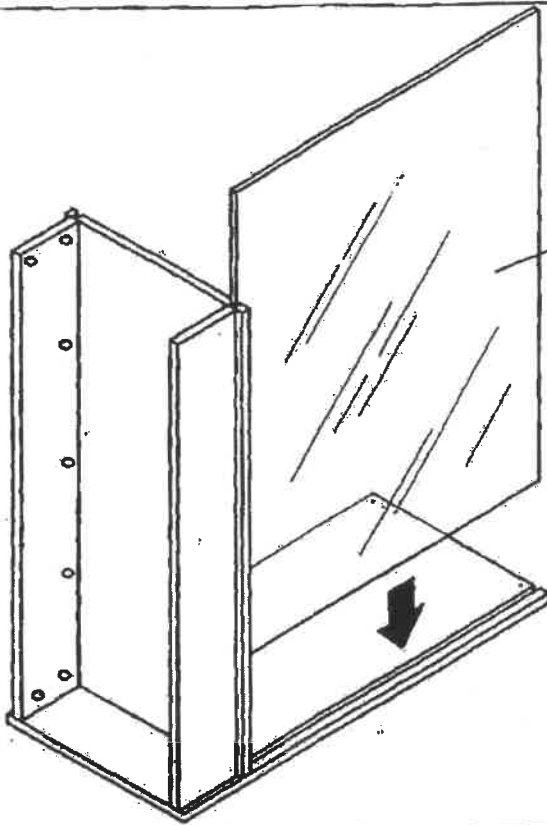
Fasten panels together and make sure all cams are locked.

6



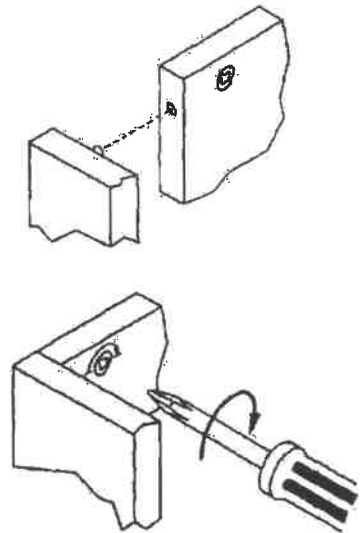
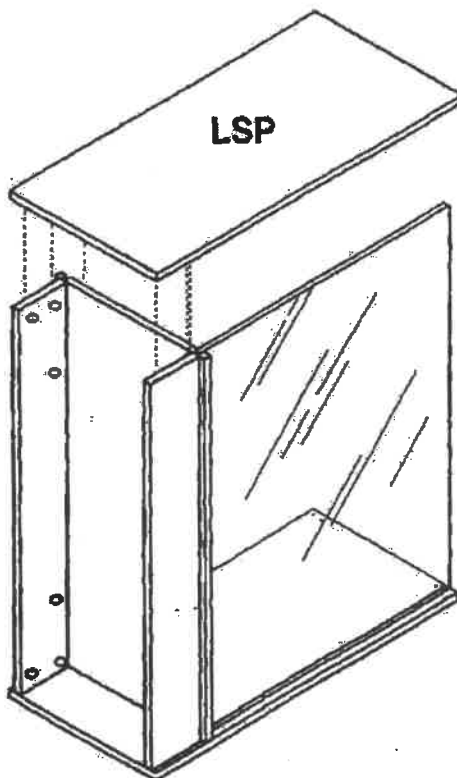
Fasten panels together and make sure all cams are locked.

7



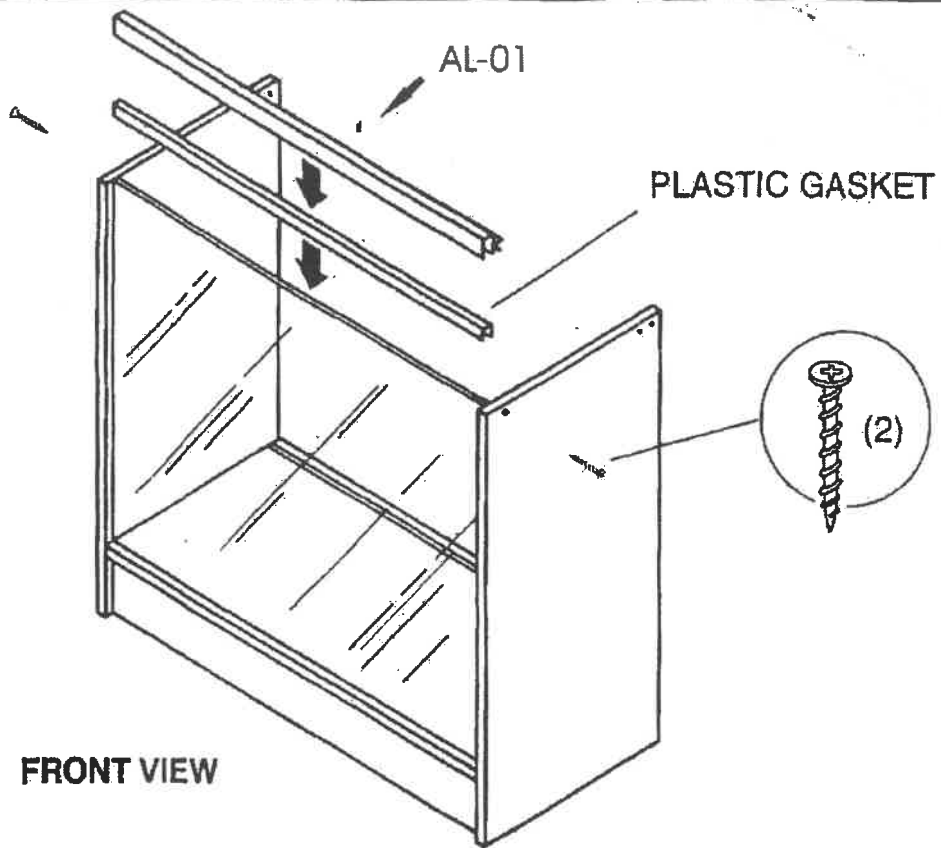
FRONT GLASS PANEL
(4 PCS OF GLASS PACKED IN ONE CARTON)

8

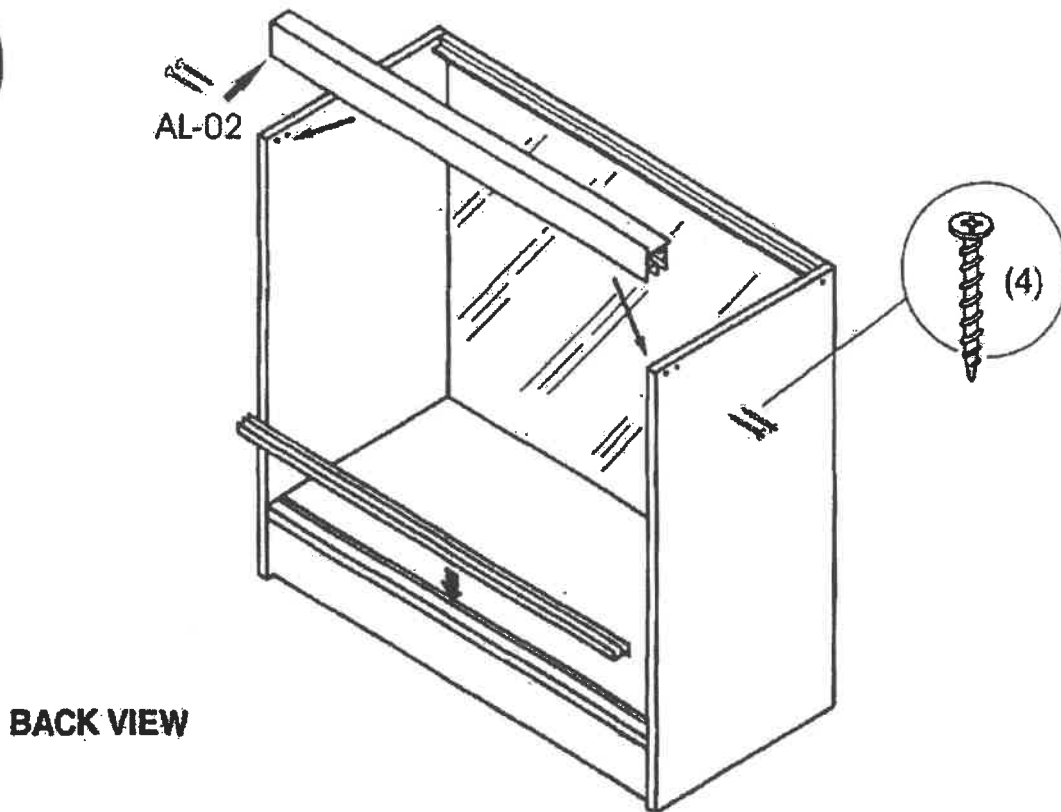


Fasten panels together and
make sure all cams are locked.

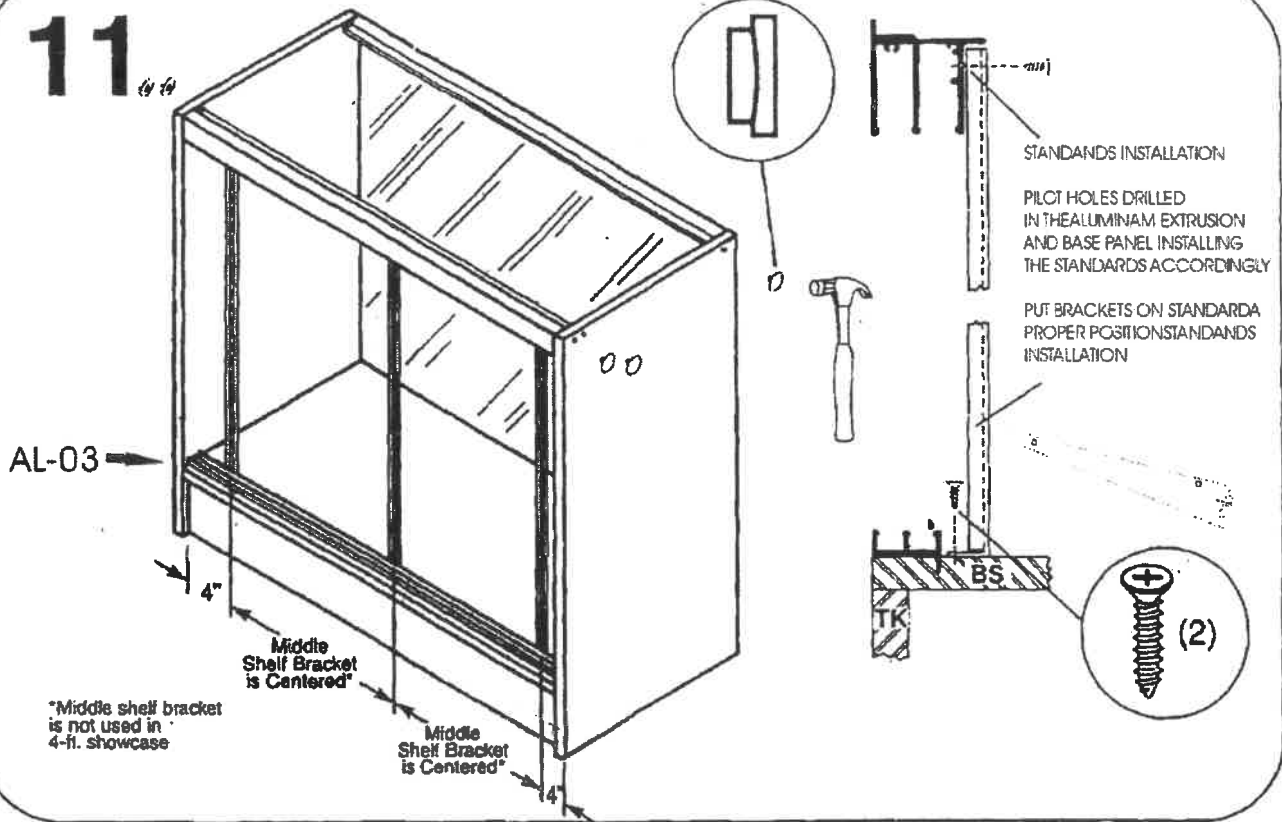
9



10



11



12

